



Your Solutions Partner

Specifications

F.O.B. Sedalia, Missouri 65301



E101-E

OPTIONS:

- Casters
- High Voltage (440/480)
- Field stacking kit
- Porcelain drip tray
- Extra oven racks

DUKE MANUFACTURING CO.
 2305 N. Broadway
 St. Louis, MO 63102
 800.735.3853 Toll Free
 314.231.5074 Fax
 www.dukemfg.com
 SS-1062 E-Series Single-Elec

Approval Stamp(s):

PRODUCT INFORMATION:

PROJECT: _____

ITEM: _____

QUANTITY: _____

MODEL:

Duke Convection Ovens "E" Series - Single Deck - Electric

- E101-E Single deck, standard depth

STANDARD FEATURES

- 5 racks/13 rack positions per oven
- Porcelain interior finish
- Stainless front
- Painted sides and top
- 27" angular painted legs/ adjustable feet
- 2 speed fan

OVEN SECTION

- 50/50 independent stainless steel doors
- Double pane glass both doors
- 1 1/2" insulation on bottom, sides and back
- 3" insulation on top
- Interior lights

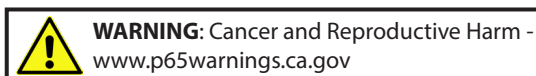
OVEN CONTROLS

- Power off/cook switch
- Dial type thermostat - 200o - 500oF
- 1-hour dial timer, electric buzzer

Certifications



Specification subject to change



DUKE CONVECTION OVENS - "E" SERIES - SINGLE - ELECTRIC

Catalog No. DCO-ELECS

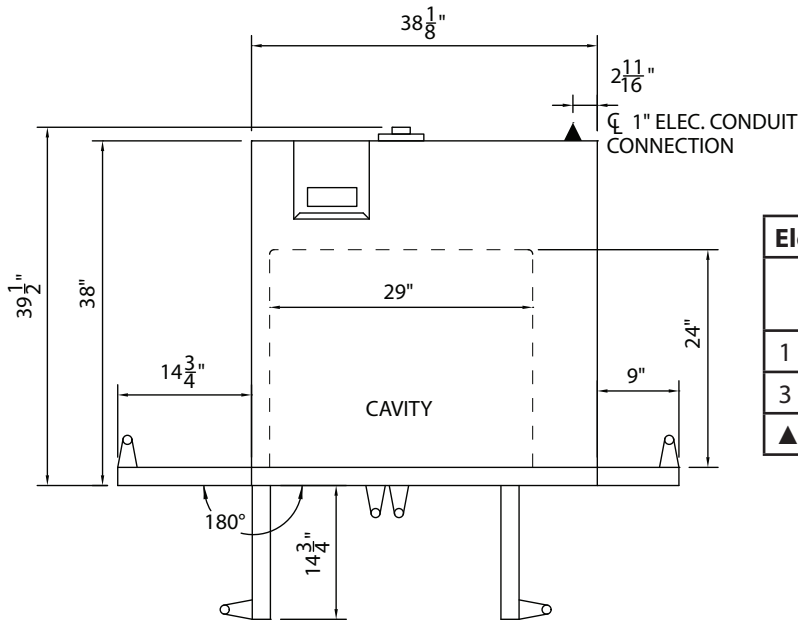
A.I.A. File No. 35-C-13

DUKE CONVECTION OVENS

"E" SERIES - ELECTRIC - SINGLE DECK

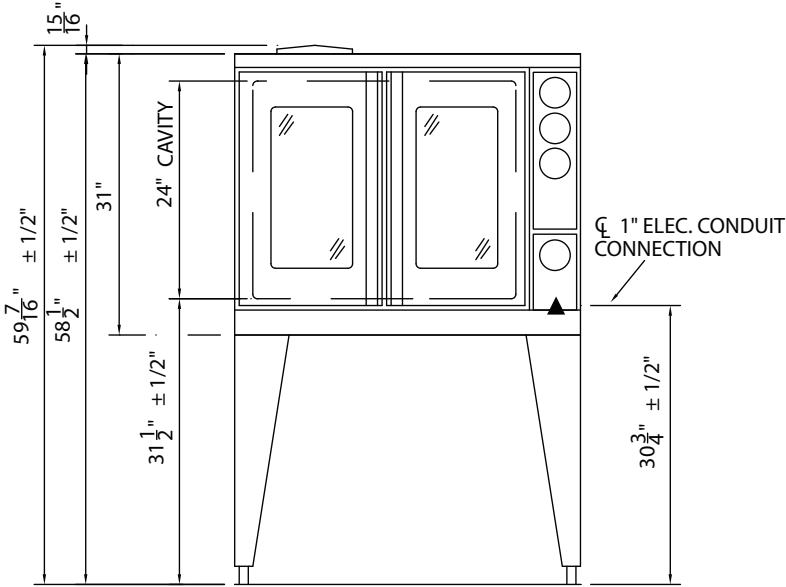
A.I.A. File No. 35-C-13

Catalog No. DCO-EELECS

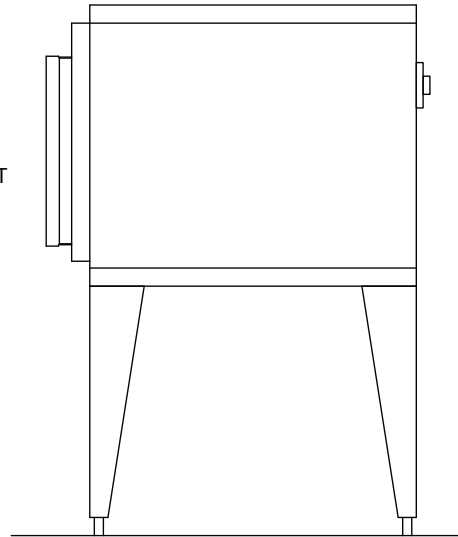


Electrical Specifications - Per Section				
	208V Amps	240V Amps	480V Amps	KW
1 Phase	52.8	45.8	n/a	10.0
3 Phase	30.5	26.5	13.3	10.0
▲ Electronic connection point				

TOP VIEW



FRONT VIEW



RIGHT SIDE VIEW

DIMENSIONS:

Freight Class: 85

Model	Depth		Width		Height		Cube ft. crated	Weight	
	in.	cm	in.	cm	in.	cm		lbs.	kg
E101-E	39 1/2	100.3	38	96.5	60	152.4	59.6	505	229.6

DUKE CONVECTION OVENS - "E" SERIES - SINGLE - ELECTRIC



Duke Manufacturing Co.
2305 N. Broadway
St. Louis, MO 63102

Phone: 314-231-1130
Toll Free: 1-800-735-3853
Fax: 314-231-5074

www.dukemfg.com